

GRIPGEAR™

# MICRO DOLLY

9-SPEEDS ELECTRONIC DOLLY + MANUAL FUNCTION

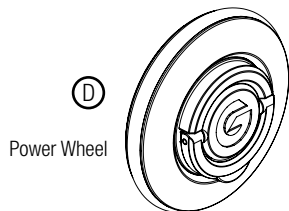
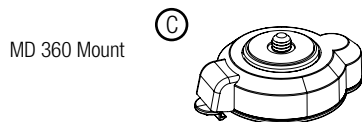
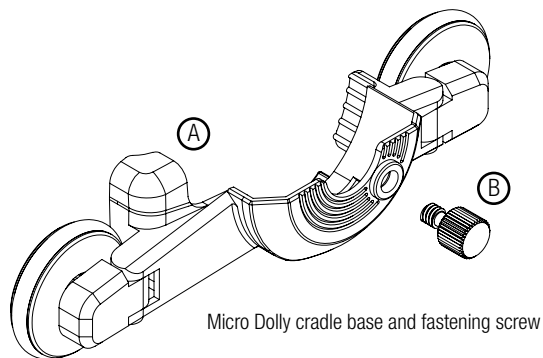
SOCIAL MEDIA:  
@GRIPGEARGLOBAL



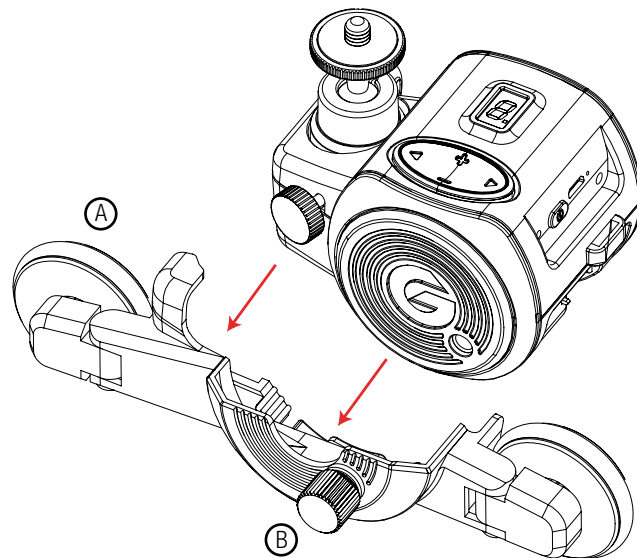
CUSTOMER CARE EMAIL: [GRIPGEAR@GRIPGEAR.COM](mailto:GRIPGEAR@GRIPGEAR.COM)  
[GRIPGEAR.COM](http://GRIPGEAR.COM) TAG US: #SMALLCAMSCAN #GRIPGEARGLOBAL #GRIPGEAR

## WHAT'S INCLUDED

Congratulations on acquiring your Micro Dolly! If you have any questions regarding the parts, set up or usage please email us anytime, we are happy to help!  
Email: [gripgear@gripgear.com](mailto:gripgear@gripgear.com)

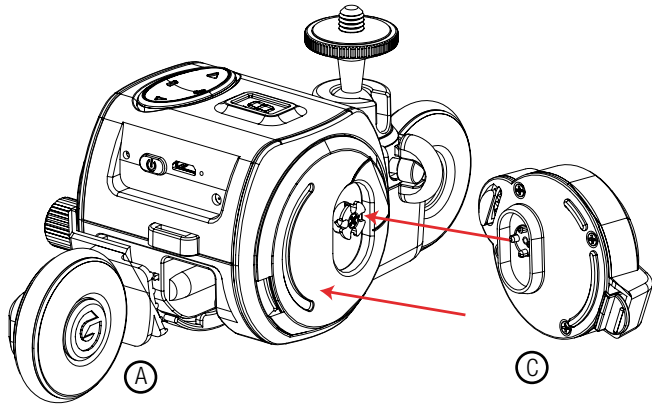


## SETTING UP THE MICRO DOLLY- STEP 1



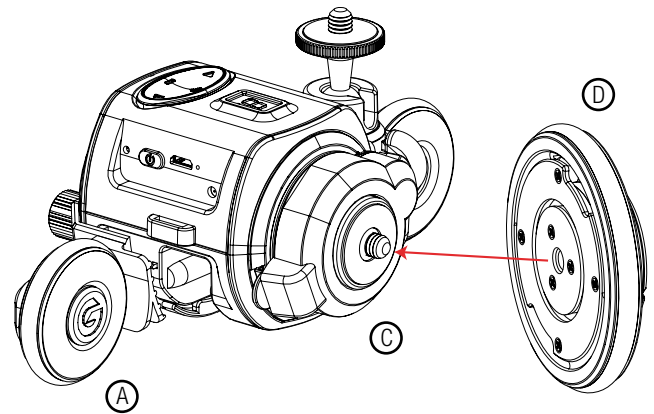
Place the Movie Maker into the Micro Dolly cradle base and fasten using the fastening screw

## STEP 2



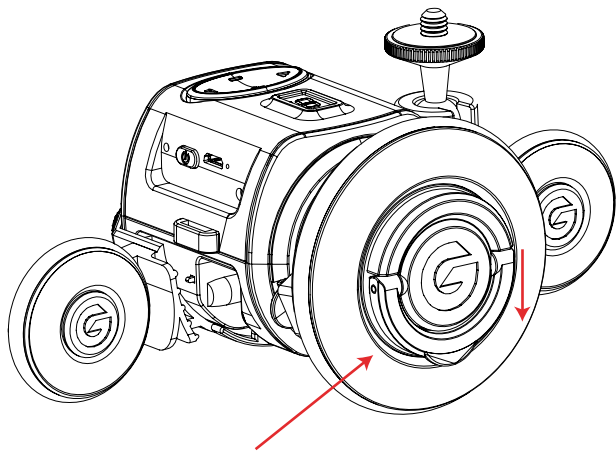
Attach the MD 360 Mount to the blue clover pin

## STEP 3



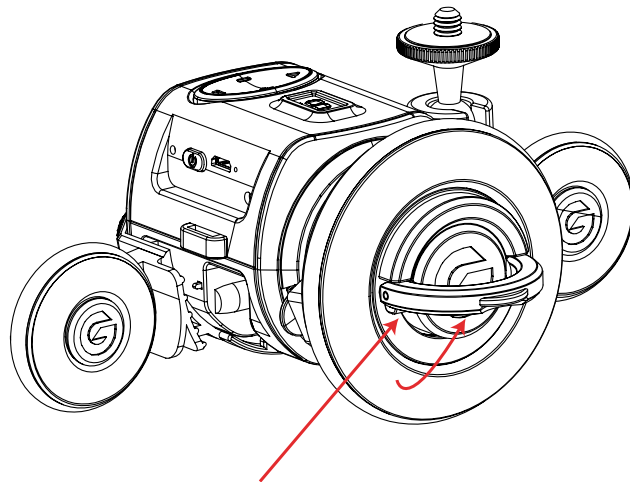
Screw and fasten the power wheel

## AUTOMATIC MODE



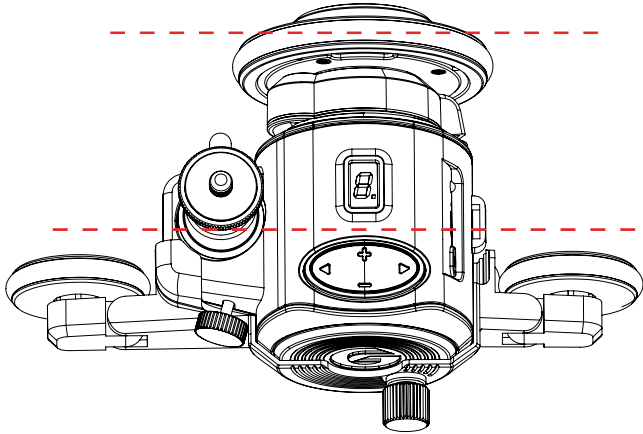
When the ring is down, the power wheel is engaged with the motor

## MANUAL MODE



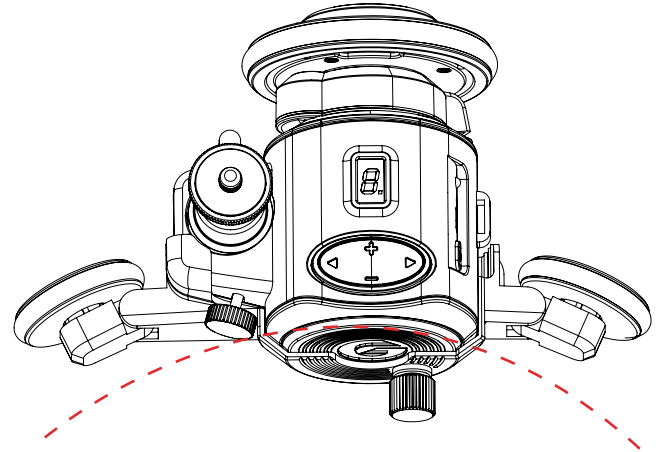
Pull handle upwards to a 90° angle to disengage the motor for use in manual mode

## FILMING IN STRAIGHT LINE



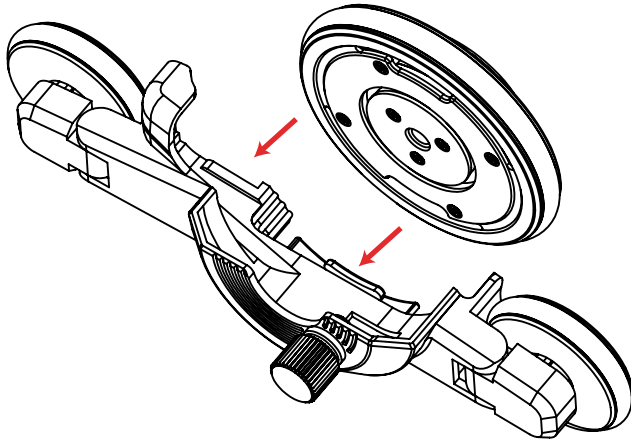
For straight movement keep wheels aligned parallel

## SHOOTING A CURVE



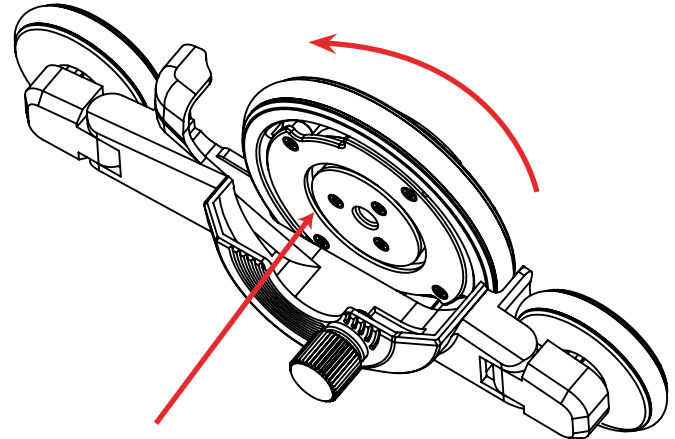
Adjust wheel angle for desired curved movement

## HOW TO STORE YOUR MICRO DOLLY



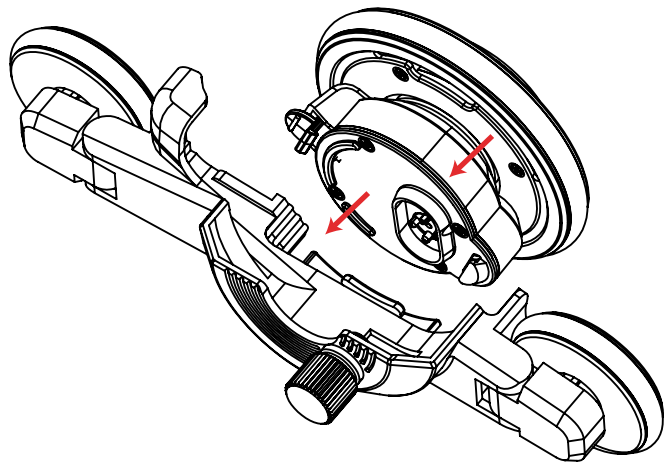
Place the Power Wheel into the Micro Dolly cradle base

## HOW TO STORE YOUR MICRO DOLLY



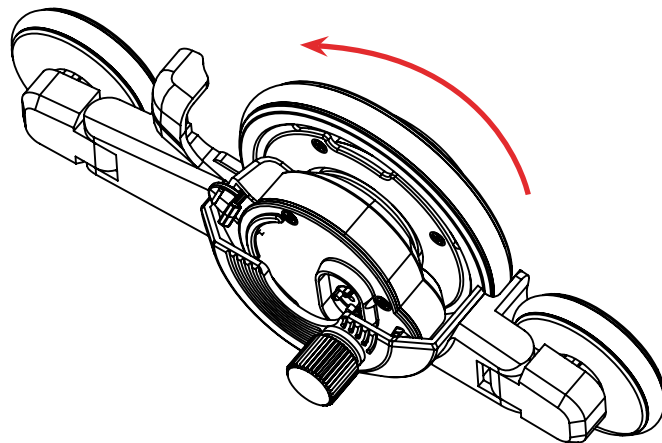
Rotate the wheel to lock into place

## HOW TO STORE YOUR MICRO DOLLY



Store option together with the MD 360 Mount

## HOW TO STORE YOUR MICRO DOLLY



Rotate Power Wheel to lock into place.

## USEFUL TIPS

- Make sure the surface in front of your shot is smooth
- Work out the proper shooting angle in manual mode first before recording
- Use the blue 360 panorama mount come with Movie Maker/Movie Maker 2 set for super slow motion (1/5 speed compared with orange unit)

If you have any other questions please feel free to email us anytime!

[gripgear@gripgear.com](mailto:gripgear@gripgear.com)

**GripGear**<sup>™</sup>  
MOTION CONTROL FOR SMALL CAMERAS

SOCIAL MEDIA:  
@GRIPGEARGLOBAL



CUSTOMER CARE EMAIL: [GRIPGEAR@GRIPGEAR.COM](mailto:GRIPGEAR@GRIPGEAR.COM)  
[GRIPGEAR.COM](http://GRIPGEAR.COM) TAG US: #SMALLCAMSCAN #GRIPGEARGLOBAL #GRIPGEAR